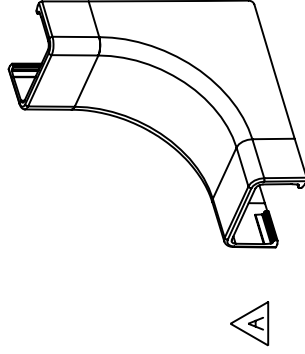
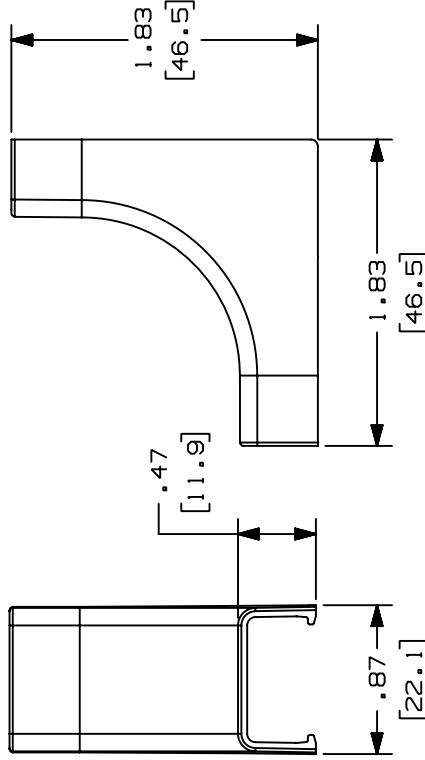


THIS COPY IS PROVIDED ON A RESTRICTED BASIS AND IS NOT TO BE USED IN ANY WAY DETRIMENTAL TO THE INTERESTS OF PANDUIT CORP.

PANDUIT PART NO.	WEIGHT
ICFC3	1.26 LB/100 PCS (573 g/100 PCS)

- NOTES:
- SEE CURRENT CATALOG FOR ADDITIONAL PART NUMBER SUFFIXES TO INDICATE COLOR AND OR PACKAGE QUANTITY.
  - THIS PRODUCT IS INTENDED TO BE USED WITH PANDUIT TYPE LD3 AND LDS3 RACEWAY.
  - NOMINAL WALL THICKNESSES: .055(1.4).
  - THIS PRODUCT IS FEATURED WITH THE TIA/EIA COMPLIANT BEND RADIUS.
  - DIMENSIONS IN PARENTHESES ARE IN METRIC.



CAD FILENAME/LAYERS D35541BN\_ICFC3\_C\_03.PRT

PANDUIT		CORP. TINLEY PARK, ILLINOIS	
INSIDE CORNER FITTING COVER (ICFC3)			
CUSTOMER DRAWING			
UNLESS OTHERWISE SPECIFIED, DIMENSIONAL TOLERANCES ARE: (.X) ± (.XXX) ±.015 (.4) (.XX) ±.03 (.8) ANGLES ±		UNLESS OTHERWISE SPECIFIED, ALL DIMENSIONS ARE GIVEN IN INCHES, THIRD ANGLE PROJECTION.	
3	03-11-04	JHEP RGRO	C. REMOVED CD3 FROM NOTE 2
2	07-02-02	JHNU RMHI	B. REVISED MATERIAL IN DRAWING TITLE BLOCK
1	07-06-99	DW HIW	A. REVISED PICTURE TO SHOW 2D VIEWS.
R	08-09-96	JBA CEF	RELEASED TO PRODUCTION
REV	DATE	BY	CHK
			DESCRIPTION
		ECN	CHK
		CUST	SUP
		DATE	08-09-96
		DRAWN BY	JBA
		MAT'L:	ABS
		SCALE	NONE
		DRAWING NO.	35541-16
		DWG	A
		SIZE	